

COMPACT FLOODLIGHTS

COMPACT POLYCARBONATE

A range of floodlights in modern thermo plastic materials to provide economy with quality. Low energy fluorescent and photocell options ensure fittings remain energy saving, ideal for general flood lighting.



IP65



COMPACT POLYCARBONATE

Part No.	Description	Code
BLACK BODY (Symmetrical Reflector)		
DISCHARGE		
EX-COMPOLY70S	70W Son-E Int ES	4353
EX-COMPOLY80M	80W MBFU	4331
EX-COMPOLY70H	70W M/Halide TD	4355
EX-COMPOLY100H	100W M/H Elipt ES	4333
FLUORESCENT		
EX-COMPOLY26	26W TCD S/Start	4536
EX-COMPOLY32HF	32W TCTE HF	4532
WITH INTEGRAL PHOTOCELL		
DISCHARGE		
EX-COMPOLY70SPC	70W Son-E Int ES	4354
EX-COMPOLY80MPC	80W MBFU	4332
EX-COMPOLY70HPC	70W M/Halide TD	4356
EX-COMPOLY100HPC	100W M/H Elipt ES	4334
FLUORESCENT		
EX-COMPOLY26PC	26W TCT S/Start	4537
EX-COMPOLY32HFPC	32W TCTE HF	4533

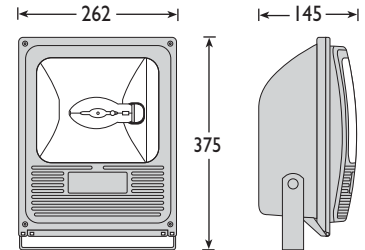
Suffix:
W = White Body (Standard Black)

■ 2x32W TCTE available to order



SPECIFICATION

- Includes lamps
- Tough polycarbonate anti-corrosive body & diffuser, ideal for general flood lighting
- Modern aesthetic styling
- Multiple light sources offering different intensity & quality of light
- IP65 Rating, certified to EN60598
- Built in photocell available for all types
- Windage 0.11m²



SECTOR

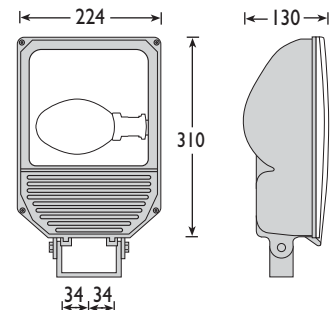
POLYCARBONATE ASYMMETRIC MINI FLOOD

Part No.	Description	Code
DISCHARGE		
SFL70A	70W Son-E Int ES	4353
FLUORESCENT		
SFL42A	42W TCTE HF	4532
WITH INTEGRAL PHOTOCELL		
DISCHARGE		
SFL70A/PC	70W Son-E Int ES	4354
FLUORESCENT		
SFL42A/PC	42W TCTE HF	4533



SPECIFICATION

- Includes lamps
- IP65 Compact discharge floodlight with innovative design
- Asymmetrical beam distribution ideal for general floodlighting where an enhanced degree of light control is needed helping to prevent light pollution
- Glass reinforced nylon body & brackets, polycarbonate lens.



IDEAL FOR

- General floodlighting
- Building facades
- Column & Post Tops
- Car parks
- Loading bays
- Security lighting
- Garden lighting
- Site perimeters
- Monuments & Parks

■ Timers and photocells see page 134

