

CIRCULAR INTERIOR UTILITY



COOLINE

The Cooline indoor low energy range is available with a choice of Opal or Prismatic shatterproof Polycarbonate Diffusers. The fittings are manufactured with spun aluminium bases and are available in a variety of sizes.



IP21

COOLINE MINOR

Part No.	Description	Code
UT-16250WO	16W White Opal	8516
UT-16250APD	16W Alu Pris	8516
UT-16250BO	16W Brass Opal	8516
UT-16250CPD	16W Chrome Pris	8516

See **SUFFIX TABLE** for all variants



COOLINE MINI

Part No.	Description	Code
UT-16350WO HF	16W White Opal HF	8516
UT-16350APD E3	16W Alu Pris E3	8517
UT-28350BO	28W Brass Opal	8528
UT-28350CPD HF E3	28W Chrome Pris HF E3	8529

See **SUFFIX TABLE** for all variants



COOLINE MIDI

Part No.	Description	Code
UT-28425WO HF	28W White Opal HF	8528
UT-28425APD E3	28W Alu Pris E3	8529
UT-38425BO	28W Brass Opal	8538
UT-38425CPD HF E3	38W Chrome Pris HF E3	8539

See **SUFFIX TABLE** for all variants



COOLINE MAXI

Part No.	Description	Code
UT-38525WO HF	38W White Opal HF	8538
UT-38525APD E3	38W Alu Pris EM3	8539
UT-55525BO	55W Brass Opal	8555
UT-55525CPD HF E3	55W Chrome Pris HF E3	8556

See **SUFFIX TABLE** for all variants



COOLINE ACCESSORIES

Part No.	Description
UT-RECKIT	Universal Semi Recessing Kit



SUFFIX TABLE:

Control Gear Options:

(Switch Start as Standard)

HF = High frequency control gear

E3 = Integral emergency version

CR = Corridor route auto sensing and dimming control

Bases:

W=White, B=Brass, C=Chrome, A=Aluminium finish

Diffusers:

O=Opal, PD=Prismatic

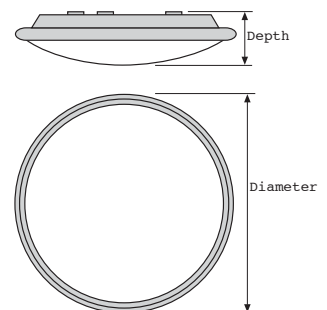
Other Options:

NITE= additional lamp for Low energy night light

IP44 = IP44 factory fitted gasket option

SPECIFICATION

- Includes GE branded 2D colour 827 16W 2 pin switch start, 4 pin HF and emergency. 28W, 38W & 55W 4 pin only
- Switch start gear as standard
High frequency versions available
- The base is constructed from spun aluminium
- Easy fix flip polycarbonate sparked finished diffuser in a choice of clear prismatic or white opal ensures installation and lamp replacement is easy
- 3 hour integral emergency versions available
- IP44 versions available
- 7w TCS-2 pin Night light option available
- Also available with T5 circular tubes in 22W, 40W and 55W
- A simple kit allows the standard Cooline decor range to be recessed into any commercial installation



DIMENSION TABLE (MM)

Fitting	Diameter	Depth	Recess Cutout
Minor	260	105	220
Mini	355	105	296
Midi	432	108	376
Maxi	532	108	476

LAMP GUIDE

See pages 143-145 for a comprehensive lamp guide



■ Emergency exit signs for similar environments see pages 126 & 127