



DIE CAST TRIDENT STADIA



IP65

Large area and sporting arena floodlights manufactured in die-cast aluminium and designed for remote gear operation. This spreads the weight of the fitting for use on column top mounting for which they are ideally suited.

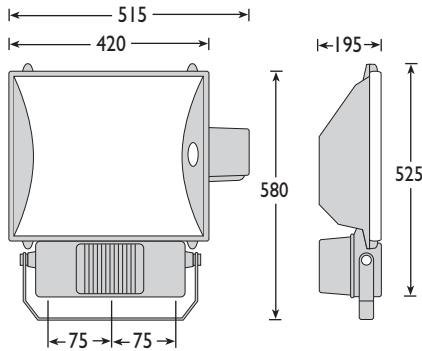
TRIDENT 1000W SON & HALIDE

Part No.	Description	Code
SYMMETRIC WIDE BEAM		
EX-TR1000S	1000W Son-T GES E40 c/w lamp, remote gear & housing	4376
EX-TR1000H	1000W Metal Halide Tubular GES E40 240V c/w lamp, remote gear & housing	4376
SYMMETRIC NARROW BEAM		
EX-TRN1000S	1000W Son-T GES E40 c/w lamp, remote gear & housing	4376
EX-TRN1000H	1000W Metal Halide, Tubular GES E40 240V c/w lamp, remote gear & housing	4376

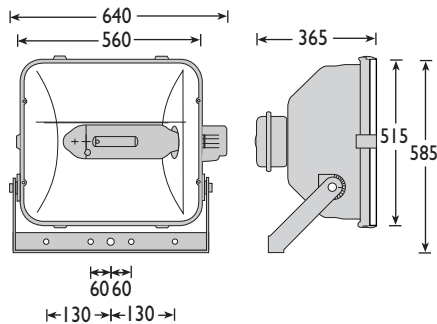
TRIDENT 2000W HALIDE

Part No.	Description	Code
SYMMETRIC WIDE BEAM		
EX-TR2000H	2000W Metal Halide Tubular GES E40 380-415V, cross phase, 2000W Single ended Internal ignitor lamp body c/w lamp, remote gear & housing	4377
SYMMETRIC NARROW BEAM		
EX-TRN2000H	2000W Metal Halide Tubular GES E40 380-415V, cross phase, 2000W Single ended Internal ignitor lamp body c/w lamp, remote gear & housing	4377

240V Single Phase versions available on request come with GES E40 External Ignitor Halide Lamp



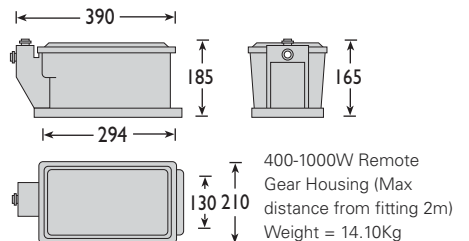
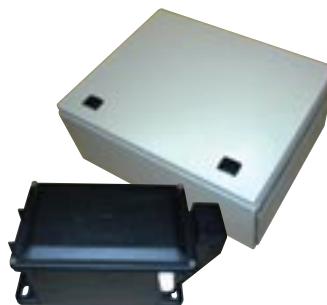
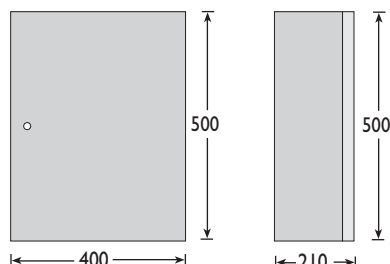
Full stadia lighting schemes available on request



SPECIFICATION

- Lamp supplied
- Compact design
- Symmetric narrow/wide beam versions
- IP65 Rating, certified to EN60598
- Remote gear housing available
- Die-cast aluminium body construction, with a wiring compartment located on the rear side of the body
- Wiring compartment on luminaire can be used as a junction box or to house the ignitor
- Max weight:
1000W 14.10Kg Body
2000W 17.6Kg Body
- Windage:
1000W = 0.227m²
2000W = 0.312m²

2000W Remote Gear Housing (Max distance from fitting 2m)
Weight = 20Kg



400-1000W Remote Gear Housing (Max distance from fitting 2m)
Weight = 14.10Kg

LAMP GUIDE

See pages 143-145 for a comprehensive lamp guide

