

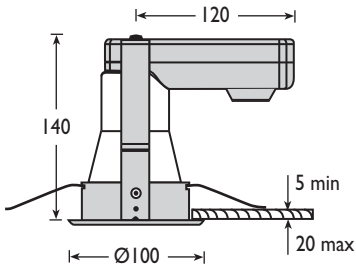


VERTICAL HF CFL DOWNLIGHTS



IP20-65

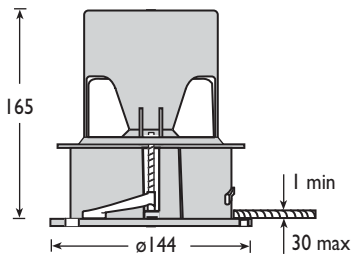
All three sizes of the Vertical CFL low energy downlight for advanced integral high frequency electronic ballast with pre-heat quick start performance, superior running efficiency over conventional magnetic ballast circuits, flicker free operation, with automatic end of lamp life shut down.



MINI CFL DOWNLIGHTERS

Part No.	Description	Code
VPL5709-T	1x13W Mini Vertical	8301
VPL5710-T	1x18W Mini Vertical	8302

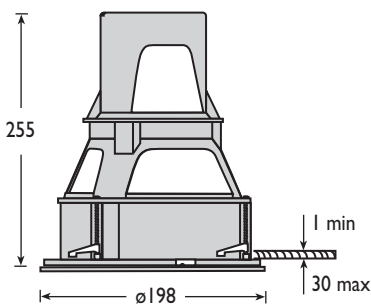
Requires lamps
Complete with Steel white bezel as standard
Suffix:
E3 = Emergency Version
HFR = 1-10V Dimmable



COMPACT CFL DOWNLIGHTERS

Part No.	Description	Code
VPL5701-D	1x13W TCDE 4 pin	8301
VPL5702-T	1x18W TCDE 4 pin	8302
VPL5703-T	1x26W TCDE 4 pin	8303

Requires lamps
Complete with white plastic bezel as standard
Suffix:
E3 = Emergency Version
IP65 = Factory fitted IP65 Bezel



STANDARD HF CFL DOWNLIGHTERS

Part No.	Description	Code
VPL5707-D	1x18W TCDE 4 pin	8302
VPL5708-D	1x26W TCDE 4 pin	8303
VPL5704-T	1x18W TCDE 4 pin	8302
VPL5705-T	1x26W TCDE 4 pin	8303
VPL5706-T	1x32W TCDE 4 pin	8303
VPL5711-T	1x42W TCDE 4 pin	8303

Requires lamps
Complete with white plastic bezel as standard
Suffix:
E3 = Emergency Version
IP65 = Factory fitted IP65 Bezel

■ For all extra attachments see page 32 facing

LAMP GUIDE

See pages 143-145 for a comprehensive lamp guide



■ Suitable fire hoods see page 44

