



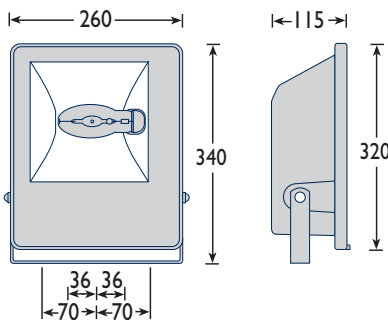
**IP65**

## COMPACT POLYCARBONATE PROFESSIONAL

Professional floodlights with modern aesthetic styling and dynamic design offering a new concept to flood-lighting solutions. With multiple light sources and reflector options available including symmetric, asymmetric and circular projector versions offering a choice of light patterns that are ideal for applications in architectural and sculpture lighting.

### SPECIFICATIONS

- Includes lamps
- Modern high quality aesthetic styling
- Multiple light sources and reflector options offering a choice of light patterns
- IP65 Rating, certified to EN60598
- Ideal for architectural & sculpture lighting
- Built in photocell available for all types
- High quality glass lens
- Tough anti corrosive polycarbonate body
- Windage: 0.09m<sup>2</sup>
- Max Weight 4.3Kg



- Symmetrical beam, ideal for general area floodlighting and column top mounting
- Asymmetrical beam, ideal for floor mounting and horizontal column top mounting
- Projection Reflector, ideal for accent lighting



All Compact Floods available to order with coloured bodies



### SYMMETRIC REFLECTOR

Part No.	Description	Code
<b>WIDE BEAM (Standard)</b>		
EX-COMFL70S	70W Son-E Int ES	4353
EX-COMFL80M	80W MBFU	4331
EX-COMFL125M	125W MBFU	4335
EX-COMFL70H	70W M/Halide TD	4355
EX-COMFL150H	150W M/Halide TD	4339

Part No.	Description	Code
<b>NARROW BEAM</b>		
EX-COMNB70S	70W Son-E Int ES	4353
EX-COMNB70H	70W M/Halide TD	4355
EX-COMNB150H	150W M/Halide TD	4339

Suffix:  
PC = Factory Fitted Photocell  
W = White Body (Standard Black)



### ASYMMETRIC REFLECTOR

Part No.	Description	Code
EX-COMAS70H	70W M/Halide TD	4355
EX-COMAS150H	150W M/Halide TD	4339

Suffix:  
PC = Factory Fitted Photocell  
W = White Body (Standard Black)



### COMPACT ACCESSORIES

Part No.	Description	Code
EX-COMWVG	Wire Guard	4357
EX-COMVIS	Visor	4357
EX-COMLV	Louvre	4357

### PROJECTION REFLECTOR

Part No.	Description	Code
EX-COMPRO70H/30	70W M/Halide TD 30° Circular Projector Reflector	4355
EX-COMPRO150H/30	150W M/Halide TD 30° Circular Projector Reflector	4339

Suffix:  
PC = Factory Fitted Photocell  
W = White Body (Standard Black)

### LAMP GUIDE

See pages 143-145 for a comprehensive lamp guide

