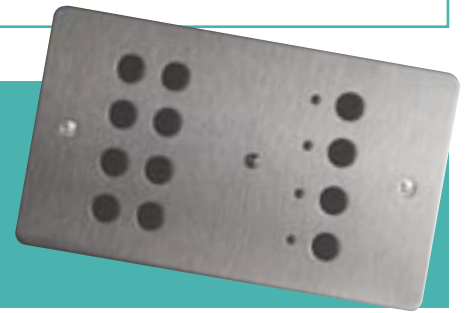


DIMMING SYSTEMS

MULTIDIM SCENE SETTING AND LIGHTING CONTROL

Controlling an areas lighting with a scene setting dimming system provides not only lighting to suit the mood but increased lamp life and above all a cost effective energy saving solution to lighting control.



MULTIDIM STARTER PACKS

Part No.	Description	Code
Halogen/LV Control		
MDK1VA1200 SS	1x1200W single channel kit	5026
MDK2VA1200 SS	2x1200W 2 channel kit	5026
MDK4VA600 SS	4X600W 4 channel kit	5026
LED/Fluorescent Control		
MDK1HFR7 SS	1 Channel 1-10V HFR kit	5027
MDK2HFR7 SS	2 Channel 1-10V HFR kit	5027
MDK4HFR7 SS	4 Channel 1-10V HFR kit	5027

Remote Pack dimensions 260x170x65 weight 2 kg
Wall controls fit standard 35mm deep back boxes



SPECIFICATION

- 1, 2 or 4 channel remote kits with frontplate and handheld remote
- Flat Stainless steel frontplate (white available)
- Intuitive programming via frontplate or remote
- Halogen and LV soft start with no need to De-rate load
- HFR Units can control upto 7 fluorescent ballasts or 10 led drivers per channel (expandable up to 100 with contactor)

MULTIDIM MODULAR DEVICES

Part No.	Description	Code
Dimmer Packs		
MD1X1200	1X1200W VA pack	5026
MD2X1200	2X1200W VA pack	5026
MD4X600	4X600W VA pack	5026
MD1X5000	1X5000W VA pack	5026
MD2XSW	2X16A Relay pack	5026
MD1X10V	1X 1-10V HFR pack	5027
MD2X10V	2X 1-10V HFR pack	5027

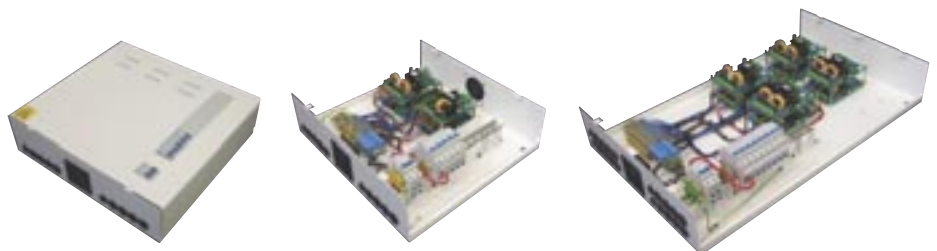
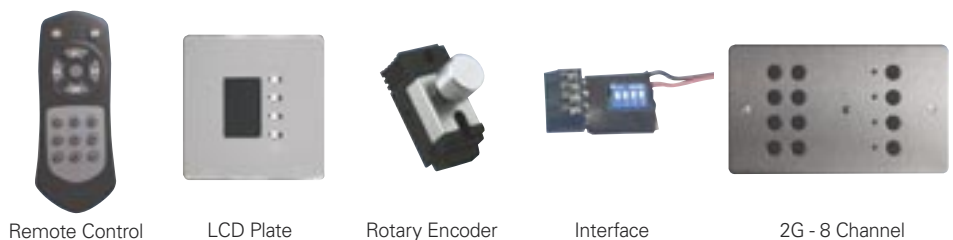
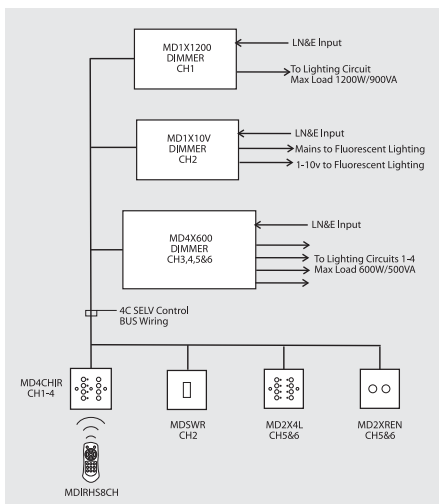
Stainless Steel Flat Wallplates		
MDCK1XRENSS	1G Steel Rotary Control	5029
MDCK4CHSS	1G 4 Channel 4 Scene push button	5029
MDCK8CHMOMSS	1G 8 Channel Raise/Lower push button	5029
MDCK8CHSS	2G 8 Channel 4 Scene push button	5029
MDCK1MAST	1G Last setting all off/recall	5029
MD41GLCD	1G LCD 4 Scene Recall	5029

Control Devices		
MDIRHS8CH	16 Chan 8 Scene I/R Handheld	5028
MDGRID1XREN	Multigrid Rotary Encoder	5028
MDSWR	Interface for retractive switch	5028



SPECIFICATION

- Full Range of expansion devices that can also be customised into individual scene setting control solutions
- 2 Channel unit features auxiliary contacts for additional switching (eg Fans)
- 16 Zones per systems standard (more can be added)
- Unlimited addressable channels with optional PC connection
- Simple multiway scene setting by linking frontplate and control devices
- Many frontplate options as standard with customised plate matching service available
- Bespoke Rack systems and prewired cabinets can be designed upto 750KW and 150 Channel Systems



Special Dimmable Rack Panels can be Designed and Built to order