

DISCHARGE DOWNLIGHTERS

SQUARE HALIDE SCOOP

The square Scoop range comprises of two versions that provide full vertical adjustment of up to 60°, or a precise tilt version of 2 x 45° perfect for wallwash and display lighting in many applications.



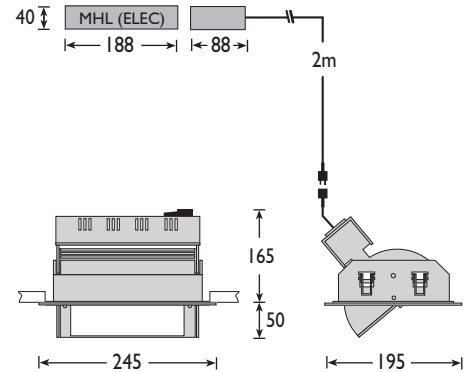
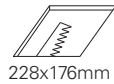
IP20

SQUARE SCOOP TILT

Part No.	Description	Code
MHST1070	1x70W M/HTD	8291
MHST1150	1x150W M/HTD	8293
MHST1250	1x250W M/HTD	8294

Suffix:
Standard - White
ALM = Aluminium
BLK = Black

- Precise 2 x 45° tilt adjustment

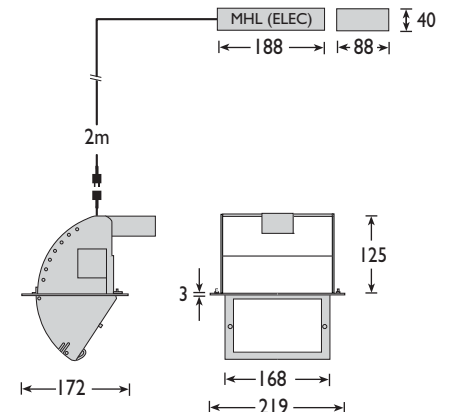
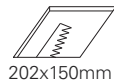


SQUARE SCOOP SWING

Part No.	Description	Code
MHSS1070	70W M/HTD	8291
MHSS1150	150W M/HTD	8293

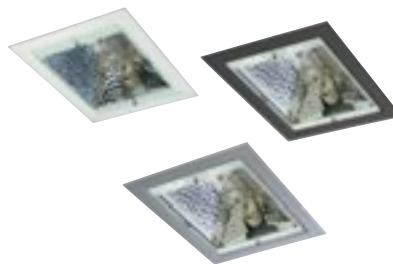
Suffix:
Standard - white
ALM = Aluminium Finish
BLK = Black Finish

- Impressive 60° tilt adjustment



Available in three high quality finishes

Suffix:
Standard - White
ALM = Aluminium
BLK = Black



SPECIFICATION

- Precise tilt and hold mechanism ensures accurate positioning
- Extruded aluminium and pressed metal construction
- Tempered safety glass
- Quick & easy plug and socket connections between luminaire and pack
- Fused terminal block
- Manufactured to EN60598
- Requires lamps

IDEAL FOR

- Leisure Centres & Retail Areas
- Universities, Schools and Colleges
- Bars, Pubs and Clubs
- Nurseries
- Cafe's
- Restaurants
- Libraries

■ Metal halide projectors see page 48

