

### THE EDGE



**IP21**

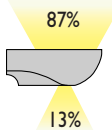
Indirect luminaire available in two body versions with single or twin lamps with high frequency gear, producing excellent upward light quality with two options of decorative downward lighting feature. Available as a Twin Bodied Maxi Pendant Uplighter with two or four PL lamps.

#### SPECIFICATION

- Energy efficient
- Extruded aluminium construction
- Polyester powder coated
- High frequency control gear as standard
- Emergency options available with integral gear housed in a slightly deeper body
- Decorative downward lighting effect
- Non-emergency wider body versions available
- Requires lamps

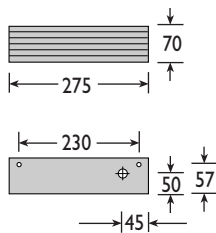
Emergency

← 248 →



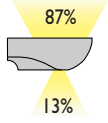
← 190 →

Non  
Emergency



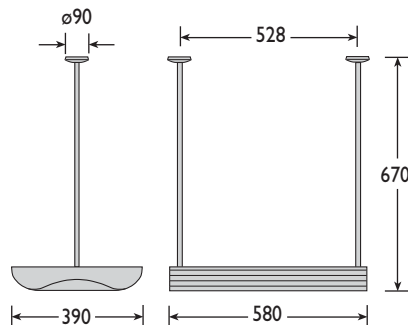
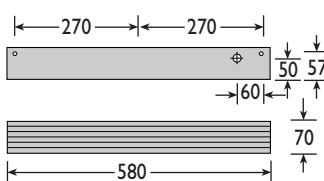
Emergency

← 227 →



← 190 →

Non  
Emergency



#### THE EDGE MIDI

Part No.	Description	Code
<b>with Light Feature</b>		
EDG118PLC/LF	1x18W TCTE	8500
EDG126PLC/LF	1x26W TCTE	8500
EDG218PLC/LF	2x18W TCTE	8500
EDG226PLC/LF	2x26W TCTE	8500

Suffix:

/E3 = Integral Emergency (Slightly deeper body)

Standard colour white

ALM = Aluminium

BLK = Black

#### THE EDGE MAXI

Part No.	Description	Code
<b>with Light Feature</b>		
EDG40PL/LF	1x40W TCL	8500
EDG240PL/LF	2x40W TCL	8500
EDG55PL/LF	1x55W TCL	8500
EDG255PL/LF	2x55W TCL	8500

Suffix:

/E3 = Integral Emergency (Slightly deeper body)

Standard colour white

ALM = Aluminium

BLK = Black

#### THE EDGE PENDANT

Part No.	Description	Code
<b>with Light Feature</b>		
EDPN240PL/LF	2x40W TCL	8502
EDPN440PL/LF	4x40W TCL	8502
EDPN255PL/LF	2x55W TCL	8502
EDPN455PL/LF	4x55W TCL	8502

Emergency not available

Suffix:

/LF Light Feature\*



Standard colour white

ALM = Aluminium

BLK = Black

#### LAMP GUIDE

See pages 143-145 for a comprehensive lamp guide



■ Indirect surface luminaires see page 91