

## ROAD LIGHTING

### ROAD LANTERNS

Street lighting luminaires designed with ease of installation in mind. Quick release clips. Long term durability and photometric performance a top priority. Installation can be made with a choice of pole top or side entry. Two fitting options provide even greater flexibility.



#### ROAD LANTERN II

Part No.	Description	Code
<b>MIDI</b>		
EX-LAND70S	70W Son-E Int ES	8637
EX-LAND150S	150W Son-T GES	8635
EX-LAND70H	70W M/H Elliptical ES	8637
EX-LAND150H	150W M/H Tubular GES	8635
<b>MAXI</b>		
EX-LAND250S	250W Son-T GES	8632
EX-LAND250H	250W M/H Tubular GES	8632
EX-LAND400S	400W Son-T GES	8634
EX-LAND400H	400W M/H Tubular GES	8634

Fitting Variants / suffix:

- PC = Factory fitted Photocell
- PNC = Factory fitted Nema Photocell
- PDB = Factory fitted Polycarbonate drop bowl



#### SPECIFICATION

- Includes lamp
- IP66
- Cast Aluminium body
- Highly polished aluminium reflector
- Adjustable variable focus lampholder
- Cover glass as standard. Optional Poly bowl available (not 400W)
- Max weight: 11.4Kg  
Windage: Glass Bowl 0.065m<sup>2</sup>  
Poly Bowl 0.1165m<sup>2</sup>

#### LUNAR LANTERN II

Part No.	Description	Code
<b>MIDI</b>		
EX-LUND70S	70W Son-E Int ES	8637
EX-LUND100S	100W Son-T GES	8631
EX-LUND150S	150W Son-T GES	8635
EX-LUND70H	70W M/H Elliptical ES	8637
EX-LUND150H	150W M/H Tubular GES	8635
<b>MAXI</b>		
EX-LUND250S	250W Son-T GES	8632
EX-LUND400S	400W Son-T GES	8634
EX-LUND250H	250W M/H Tubular GES	8632
EX-LUND400H	400W M/H Tubular GES	8634

Fitting Variants / suffix:

- PC = Factory fitted 20mm Mini Photocell
- PDB = Factory fitted Polycarbonate drop bowl
- GDB = Factory fitted Glass drop bowl



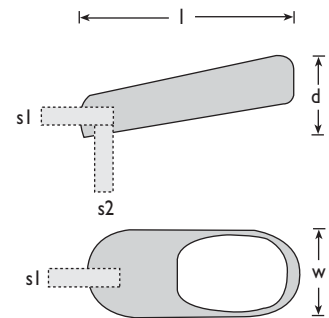
#### SPECIFICATION

- Includes lamp
- IP66 optical assembly and Gear housing flat glass lens as standard
- Cast Aluminium body, polymer canopy with quick release electrical disconnect
- Universal mounting
- Quick release, removable gear tray
- Max weight: 8 or 12Kg  
Windage: 0.12 or 0.16m<sup>2</sup>

■ Typical mounting heights 5-10m

#### DIMENSION TABLE (mm):

	L	D	W	S1	S2
LAN II MIDI	540	248	286	48-76	48-76
LAN II MAXI	630	305	325	48-76	48-76
LUN II MIDI	622	211	380	34-60	60-76
LUN II MAXI	688	228	440	34-60	60-76



#### IDEAL FOR

- Public squares
- Large gardens
- Residential areas
- Precincts
- Pedestrian areas
- Car parks
- Estate roadways
- Shopping areas
- Parklands
- Roadways (Group B)

■ Steel columns & brackets see pages 122 & 123

