

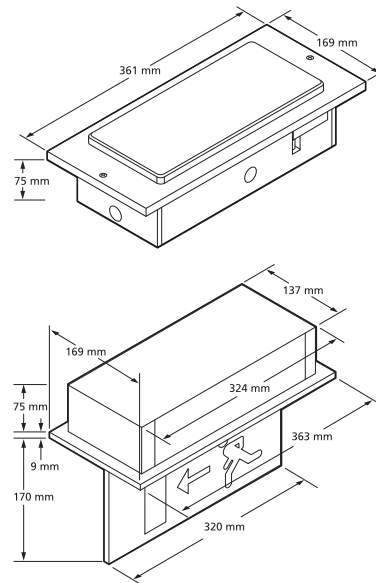
# Trimlux

## Emergency Luminaire

An unobtrusive, recessed luminaire suitable for hotels, hospitals or prestigious premises that require a high degree of refinement. Available as either a bulkhead or exit sign with a range of trim finishes for enhanced aesthetic appeal. The recessed bulkhead is ideal for applications where there is reduced headroom.



## Dimensions



## Technical Specification

### Electrical & Operational

<b>Input voltage</b>	230 – 240v 50Hz
<b>Duration</b>	3 hours (maintained & non-maintained)
<b>Battery</b>	High temperature nickel cadmium
<b>Charger</b>	Constant current
<b>Charging monitor</b>	LED
<b>M operation</b>	Ballast maintained
<b>Recharge period</b>	24 hours
<b>Lamp</b>	8wT5
<b>Lamp o/p (lumens)</b>	100 (bulkhead version)
<b>Consumption (amps)</b>	0.03 (non-maintained), 0.06 (maintained)

### Construction & Installation

<b>Cable entry</b>	Knockouts in rear and ends of back box
<b>Construction</b>	Metal recessed enclosure with wing fixings to assist false ceiling mount Trim surround to prismatic light controller for bulkhead use; metal trim plate for legend panel support

<b>Environment</b>	0 – 25°C
<b>Ingress class</b>	IP20
<b>Weight (kg)</b>	1.8 (non-maintained), 2.0 (maintained) without legend

<b>Product standard/Approvals</b>	Designed & manufactured to meet the requirements of BS EN 60598.2.22
-----------------------------------	--



**Installed as an exit sign with slotted metal trim plate & suspended legend**

## To Order

### Product Order Codes

<b>EL-TR8/3NM</b>
8w Non-maintained Trimlux
<b>EL-TR8/3M</b>
8w Maintained Trimlux

### Trim Options (Bulkhead)

<b>EL-TR/TRIM/W</b>	<b>EL-TR/TRIM/B</b>
White	Brass
<b>EL-TR/TRIM/SS</b>	<b>EL-TR/TRIM/A</b>
Stainless Steel	Brushed Aluminium

### Trim Options (Exit Sign)

<b>EL-TR/STRIM/W</b>	<b>EL-TR/STRIM/B</b>
White	Brass
<b>EL-TR/STRIM/SS</b>	<b>EL-TR/STRIM/A</b>
Stainless Steel	Brushed Aluminium

### Legend Codes

<b>EL-TR/LEG/R</b>	<b>EL-TR/LEG/L</b>
Screen Printed Legend (Arrow Right)	Screen Printed Legend (Arrow Left)
<b>EL-TR/LEG/D</b>	<b>EL-TR/LEG/DS1</b>
Screen Printed Legend (Arrow Down)	Double Sided Legend (Arrows Down)
<b>EL-TR/LEG/DS2</b>	<b>EL-TR/LEG/DS3</b>
Double Sided Legend (Arrows Left/Right)	Double Sided Legend (Arrows Up)

Please note that specifications may be subject to change.

For further information or technical assistance call or write to:

Senate Electrical  
Senate House, 6 - 16 Southgate Road, Potters Bar, Hertfordshire, EN6 5DS  
Telephone: 01707 640 000 Facsimile: 01707 640 000 Helpline on 01452 712459