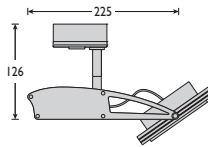
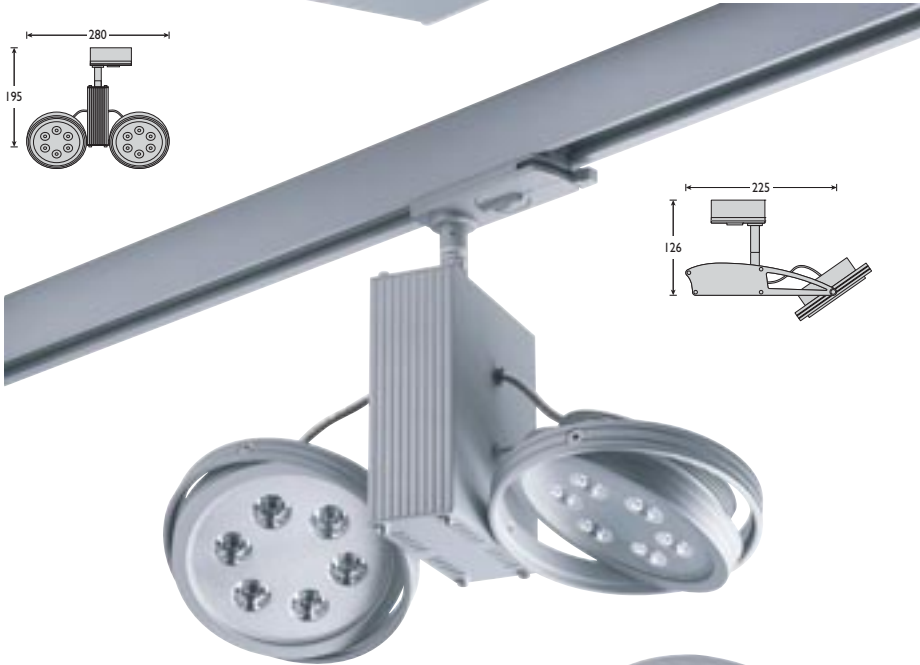
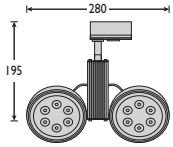


LED TRACK FITTINGS



IP20

The benefits of LED lighting are becoming well known; low power consumption, no maintenance, long life, safe and easy to install to name but a few. Now these benefits are available for track lighting the new Stratus LED track lighting system.



SINGLE HEAD PROJECTOR

Part No.	Description	Code
LEDP1501/MT3	15W 15° spot	8450

SPECIFICATION

- Internal LED driver
- Ideal to replace AR111 fittings
- 180° tilt head
- 15° cool white beam

TWIN HEAD PROJECTOR

Part No.	Description	Code
LEDP0602/MT3	2 x 6W 15° spot	8450

SPECIFICATION

- Internal LED driver
- Ideal to replace AR111 fittings
- 90° tilt and rotation head
- 15° cool white beam

TRACK LIGHT ACCESSORIES

Part No.	Description	Code
LEDP3/MT3 SURF	3 circuit adaptor surface mount	8450
MT1/TA1	Single circuit track adaptor converter	8450

SPECIFICATION

- Surface adaptor dimensions:
Dia: 120mm H: 33mm

